

# NGC Chromatography Systems Multidimensional (Multi-D) Plumbing Guide

Version 2.0



## Introduction

This guide is designed to help plumb your NGC System for multidimensional (Multi-D) chromatography applications. These techniques can help enhance sample recovery and improve productivity by minimizing the steps and time required for protein purification. In addition, it shows the optimal locations for module placement to minimize tubing length and swept volume.

Traditionally, multistep purifications have been labor intensive and time consuming, as fractions from a run are collected, pooled, and often dialyzed before being injected onto the next column. With the NGC System, well-characterized single-step purifications are combined to create tandem or automated multicolumn protocols, significantly decreasing sample loss and the time spent on the protein purification process. Typically, the columns in the combined methods have different chemistries or binding characteristics, enhancing selectivity, peak separation, and resolution.

In tandem chromatography, proteins of interest can be eluted from the first column and loaded directly onto a second column plumbed in series followed by analysis using the ultraviolet (UV) detector. For a tandem chromatography run to be successful, certain considerations must be taken into account, including the binding capacity of both columns, the optimal buffer composition (including pH and salt concentration), and the pressure ratings for both columns.

In two-step automated multicolumn (2-D) chromatography, proteins of interest are eluted from the first column (often an affinity column) and held in a sample loop before being injected directly onto a second column. With this technique, column pressure ratings and buffer conditions are not critical factors for a successful separation.

Using this plumbing guide in conjunction with the numerous tandem and 2-D templates in ChromLab Software should help you successfully set up and run your methods and achieve your protein purification goals more quickly and efficiently. Refer to the Multidimensional Chromatography Success Guide ([bulletin 6701](#)) for more information about Multi-D.

## Table of Contents

### 2-TIER SYSTEMS

<b>2-TIER + 2 CSV for Tandem Chromatography Applications</b>	<b>4</b>
--	----------

### 3-TIER SYSTEMS

<b>3-TIER + 2 CSV for Tandem Chromatography Applications</b>	<b>5</b>
<b>3-TIER + 2 CSV + 1 OUTLET for 2-D Chromatography Applications</b>	<b>6</b>
<b>3-TIER + 2 CSV + 1 OUTLET for 2-D Chromatography Applications (with additional buffer selection)</b>	<b>7</b>
<b>3-TIER + 2 CSV + SAMPLE PUMP + 1 SAMPLE INLET for Tandem Chromatography Applications</b>	<b>8</b>
<b>3-TIER + 2 CSV + SAMPLE PUMP + 1 SAMPLE INLET for Tandem Chromatography Applications (with additional buffer selection)</b>	<b>9</b>
<b>3-TIER + 2 CSV + SAMPLE PUMP + 1 SAMPLE INLET for Tandem Chromatography Applications (with additional buffer selection and pH monitoring)</b>	<b>10</b>
<b>3-TIER + 2 CSV + SAMPLE PUMP + 1 SAMPLE INLET + 1 OUTLET for 2-D and Tandem Chromatography Applications</b>	<b>11</b>
<b>3-TIER + 2 CSV + SAMPLE PUMP + 1 SAMPLE INLET + 1 OUTLET for 2-D and Tandem Chromatography Applications (with additional buffer selection)</b>	<b>12</b>
<b>3-TIER + 2 CSV + 2 BUFFER INLETS + BUFFER BLENDING VALVE for Tandem Chromatography Applications</b>	<b>13</b>
<b>3-TIER + 3 CSV + SAMPLE PUMP + 1 SAMPLE INLET + 1 OUTLET for 2-D and Tandem Chromatography Applications</b>	<b>14</b>

Similarly named systems differ in the additional modules present. The illustrations on the respective pages show the optimal positions of these additional and blank modules to minimize tubing length and overall swept volume.

### 4-TIER SYSTEMS

<b>4-TIER (DISCOVER PRO) + 1 CSV for 2-D Chromatography Applications</b>	<b>15</b>
<b>4-TIER (DISCOVER PRO) + 1 CSV for Tandem Chromatography Applications</b>	<b>16</b>
<b>4-TIER (DISCOVER PRO) + 2 CSV + 1 OUTLET for 2-D and Tandem Chromatography Applications</b>	<b>17</b>
<b>4-TIER (DISCOVER PRO) + 2 CSV + 1 SAMPLE INLET for 2-D and Tandem Chromatography Applications</b>	<b>18</b>
<b>4-TIER (DISCOVER PRO) + 1 CSV + 1 SAMPLE INLET + 1 OUTLET for Tandem Chromatography Applications</b>	<b>19</b>
<b>4-TIER (DISCOVER PRO) + 1 CSV + 1 SAMPLE INLET + 1 OUTLET for 2-D and Tandem Chromatography Applications</b>	<b>20</b>

The 4-tier NGC System configurations shown here are built from the NGC Discover Pro with additional modules added.

The NGC Discover Pro System includes 1 column switching valve (CSV), 1 sample pump, 1 sample inlet valve, 2 buffer inlet valves, 1 outlet valve, 1 pH valve, and 1 buffer blending valve.

## 2-TIER + 2 CSV for Tandem Chromatography Applications

Simple system configuration for tandem affinity and desalting columns. Proteins are eluted from the affinity column directly onto the desalting column.

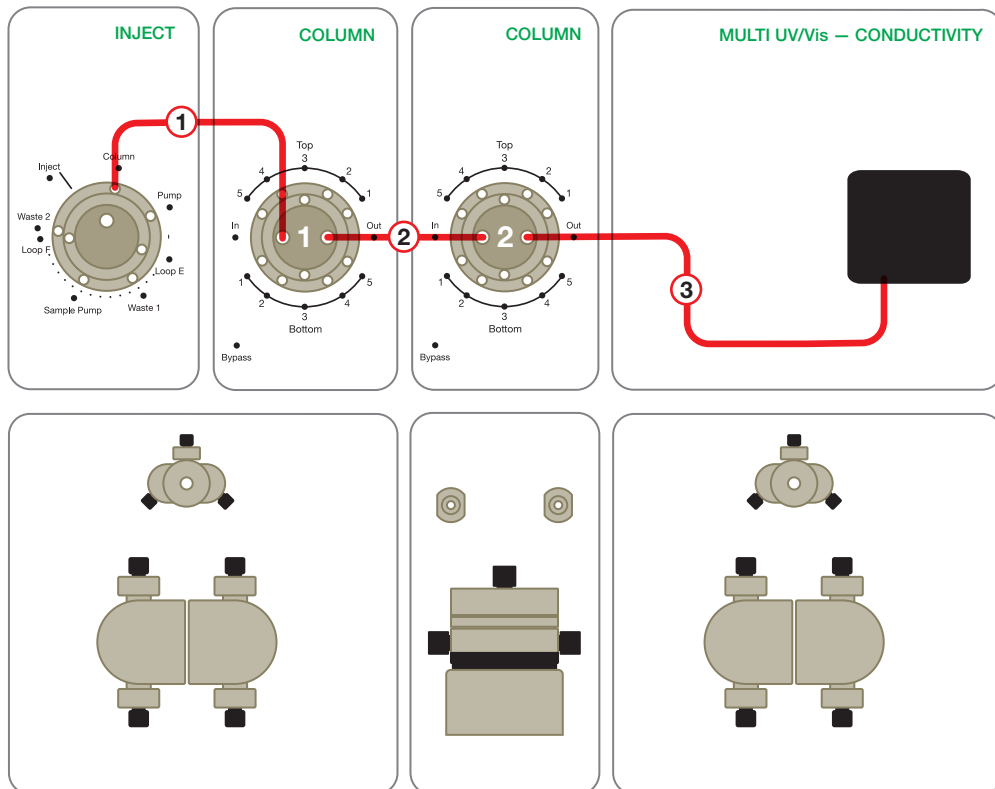
### Example Templates

Affinity 1 ml – Desalting

Affinity 5 ml – Desalting

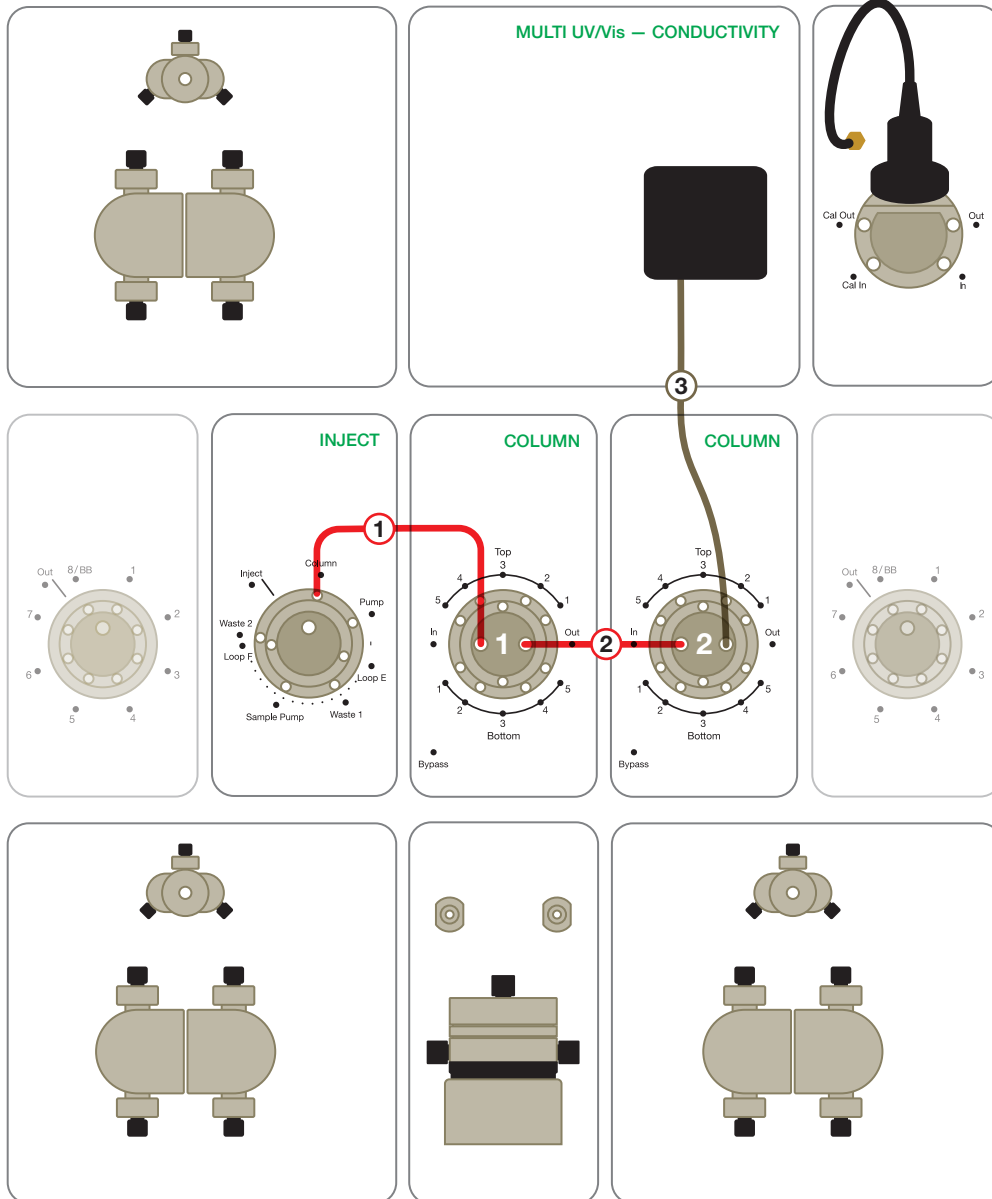
### Tubing

- 1** Tube #2 – Length: 17 cm  
Inject Valve Column to Column Switching Valve 1 In
- 2** Tube #2 – Length: 17 cm  
Column Switching Valve 1 Out to Column Switching Valve 2 In
- 3** MWD:  
Tube #1 – Length: 24.5 cm  
Column Switching Valve 2 Out to Multi-Wavelength Detector In



# 3-TIER + 2 CSV for Tandem Chromatography Applications

3-tier system for tandem affinity and desalting columns. Proteins are eluted from the affinity column directly onto the desalting column.



### Example Templates

- Affinity 1 ml – Desalting
- Affinity 5 ml – Desalting
- Affinity 1 ml – Linear Gradient
- Affinity 1 ml – Step Gradient
- Affinity 5 ml – Linear Gradient
- Affinity 5 ml – Step Gradient

### Tubing

- 1** Tube #2 – Length: 17 cm  
Inject Valve Column to  
Column Switching Valve 1 In
- 2** Tube #2 – Length: 17 cm  
Column Switching Valve 1 Out  
to Column Switching Valve 2 In
- 3** MWD:  
Tube #1 – Length: 24.5 cm  
Column Switching Valve 2 Out  
to Multi-Wavelength Detector In

Additional modules (grayed out) are shown in the optimal positions to minimize tubing length and swept volume.

## 3-TIER + 2 CSV + 1 OUTLET for 2-D Chromatography Applications

3-tier system for 2-D chromatography. The outlet valve is used to direct proteins to either the fraction collector or a static loop on the CSV before loading onto the second column.

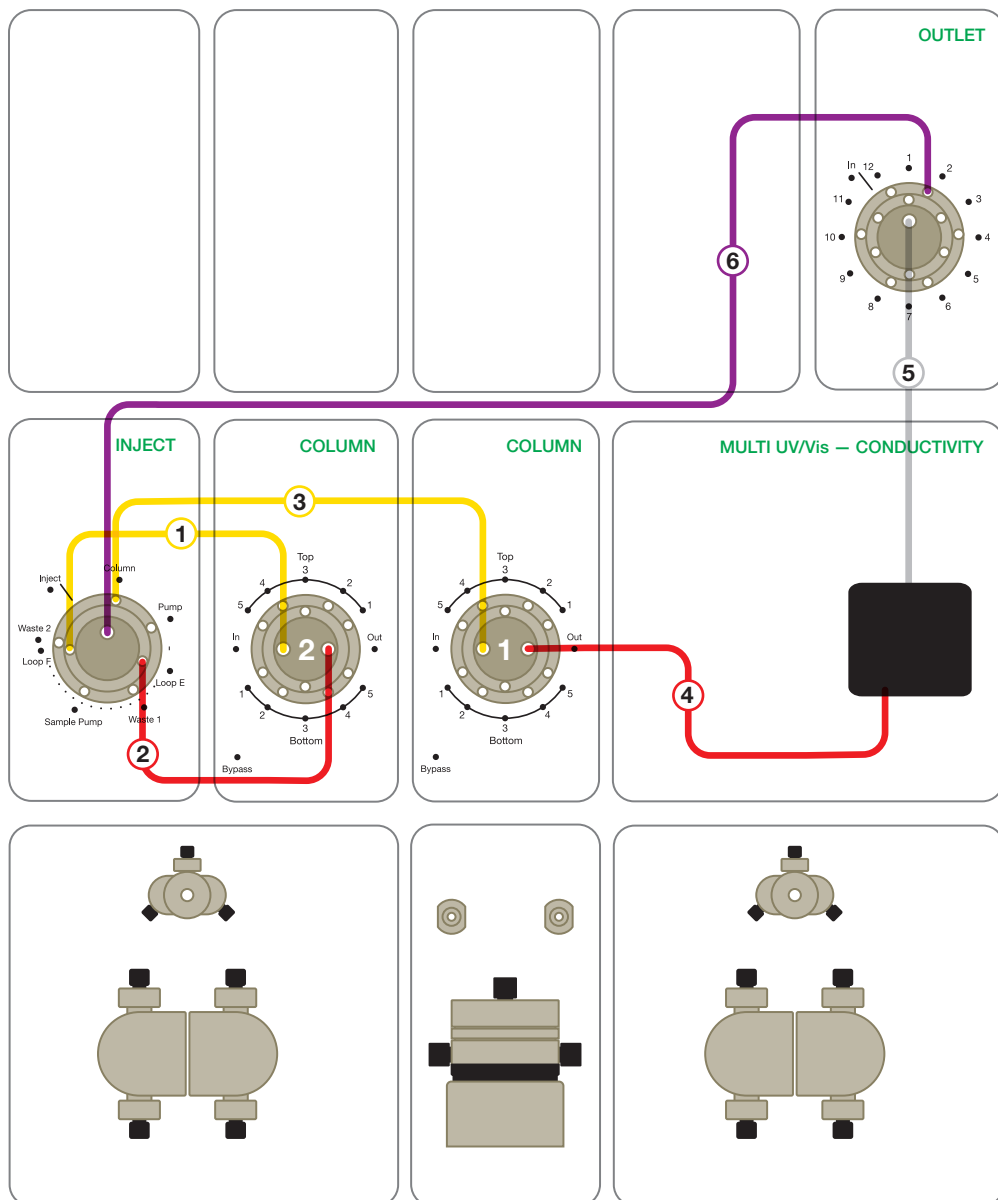
### Example Templates

2-D Affinity 1 ml – SEC

2-D Affinity 5 ml – Desalting

### Tubing

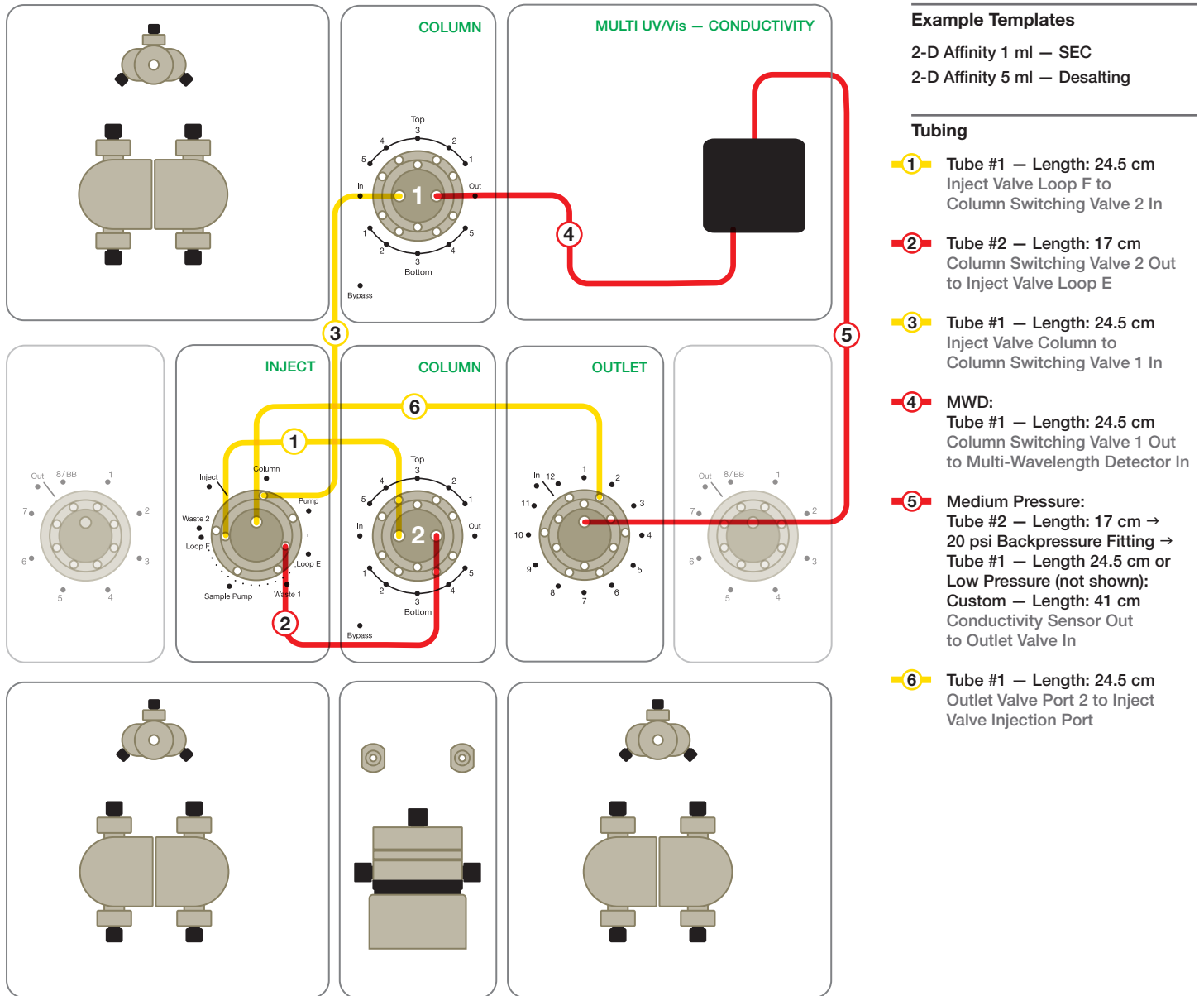
- 1** Tube #1 – Length: 24.5 cm  
Inject Valve Loop F to  
Column Switching Valve 2 In
- 2** Tube #2 – Length: 17 cm  
Column Switching Valve 2 Out  
to Inject Valve Loop E
- 3** Tube #1 – Length: 24.5 cm  
Inject Valve Column to  
Column Switching Valve 1 In
- 4** MWD:  
Tube #1 – Length: 24.5 cm  
Column Switching Valve 1 Out  
to Multi-Wavelength Detector In
- 5** Medium Pressure:  
Tube #3 – Length: 10 cm →  
20 psi Backpressure Fitting →  
Tube #3 – Length: 10 cm or  
Low Pressure (not shown):  
Tube #2 – Length: 17 cm  
Conductivity Sensor Out  
to Outlet Valve In
- 6** Tube #4 – Length: 50 cm  
Outlet Valve Port 2 to  
Inject Valve Injection Port



Blank modules are shown in the optimal positions to minimize tubing length and swept volume.

# 3-TIER + 2 CSV + 1 OUTLET for 2-D Chromatography Applications (with additional buffer selection)

3-tier system for 2-D chromatography. The outlet valve is used to direct proteins to either the fraction collector or a static loop on the CSV before loading on to the second column.



**Example Templates**

- 2-D Affinity 1 ml – SEC
- 2-D Affinity 5 ml – Desalting

**Tubing**

- 1** Tube #1 – Length: 24.5 cm  
Inject Valve Loop F to  
Column Switching Valve 2 In
- 2** Tube #2 – Length: 17 cm  
Column Switching Valve 2 Out  
to Inject Valve Loop E
- 3** Tube #1 – Length: 24.5 cm  
Inject Valve Column to  
Column Switching Valve 1 In
- 4** MWD:  
Tube #1 – Length: 24.5 cm  
Column Switching Valve 1 Out  
to Multi-Wavelength Detector In
- 5** Medium Pressure:  
Tube #2 – Length: 17 cm →  
20 psi Backpressure Fitting →  
Tube #1 – Length: 24.5 cm or  
Low Pressure (not shown):  
Custom – Length: 41 cm  
Conductivity Sensor Out  
to Outlet Valve In
- 6** Tube #1 – Length: 24.5 cm  
Outlet Valve Port 2 to Inject  
Valve Injection Port

Additional modules (grayed out) are shown in the optimal positions to minimize tubing length and swept volume.

## 3-TIER + 2 CSV + SAMPLE PUMP + 1 SAMPLE INLET for Tandem Chromatography Applications

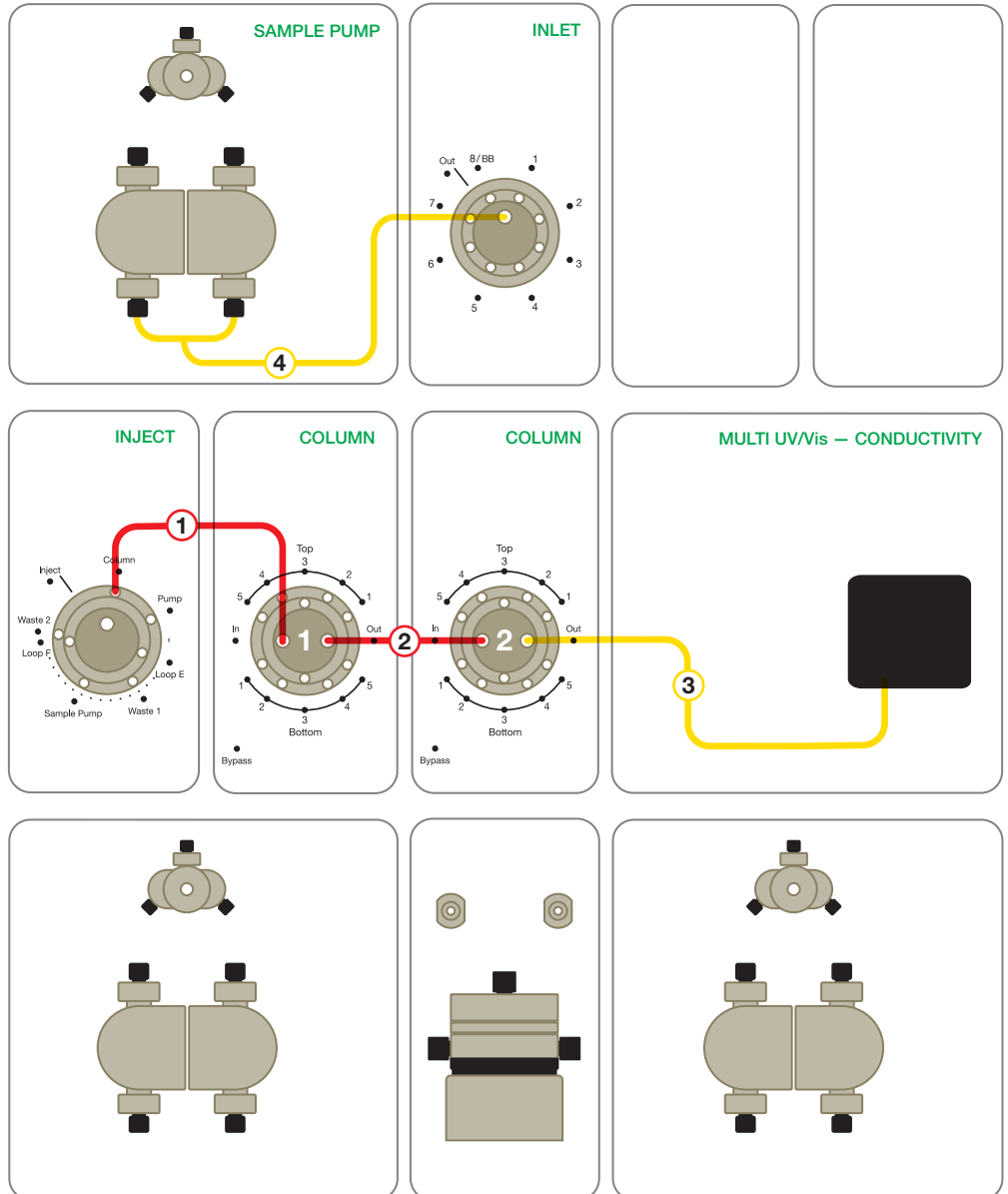
3-tier system that can be used for tandem applications. The inclusion of a sample pump and sample inlet valve means multiple samples can be processed in an automated sequential manner.

### Example Templates

- Affinity 1 ml – Desalting
- Affinity 5 ml – Desalting
- Affinity 1 ml – Linear Gradient
- Affinity 1 ml – Step Gradient
- Affinity 5 ml – Linear Gradient
- Affinity 5 ml – Step Gradient

### Tubing

- 1** Tube #2 – Length: 17 cm  
Inject Valve Column to  
Column Switching Valve 1 In
- 2** Tube #2 – Length: 17 cm  
Column Switching Valve 1 Out  
to Column Switching Valve 2 In
- 3** MWD:  
Tube #1 – Length: 24.5 cm  
Column Switching Valve 2 Out  
to Multi-Wavelength Detector In
- 4** Tube #1 – Length: 24.5 cm  
(1/16" green PEEK if <5 ml/min  
or 1/8" FEP if >5 ml/min)  
Sample Inlet Valve Out  
to Sample Pump In

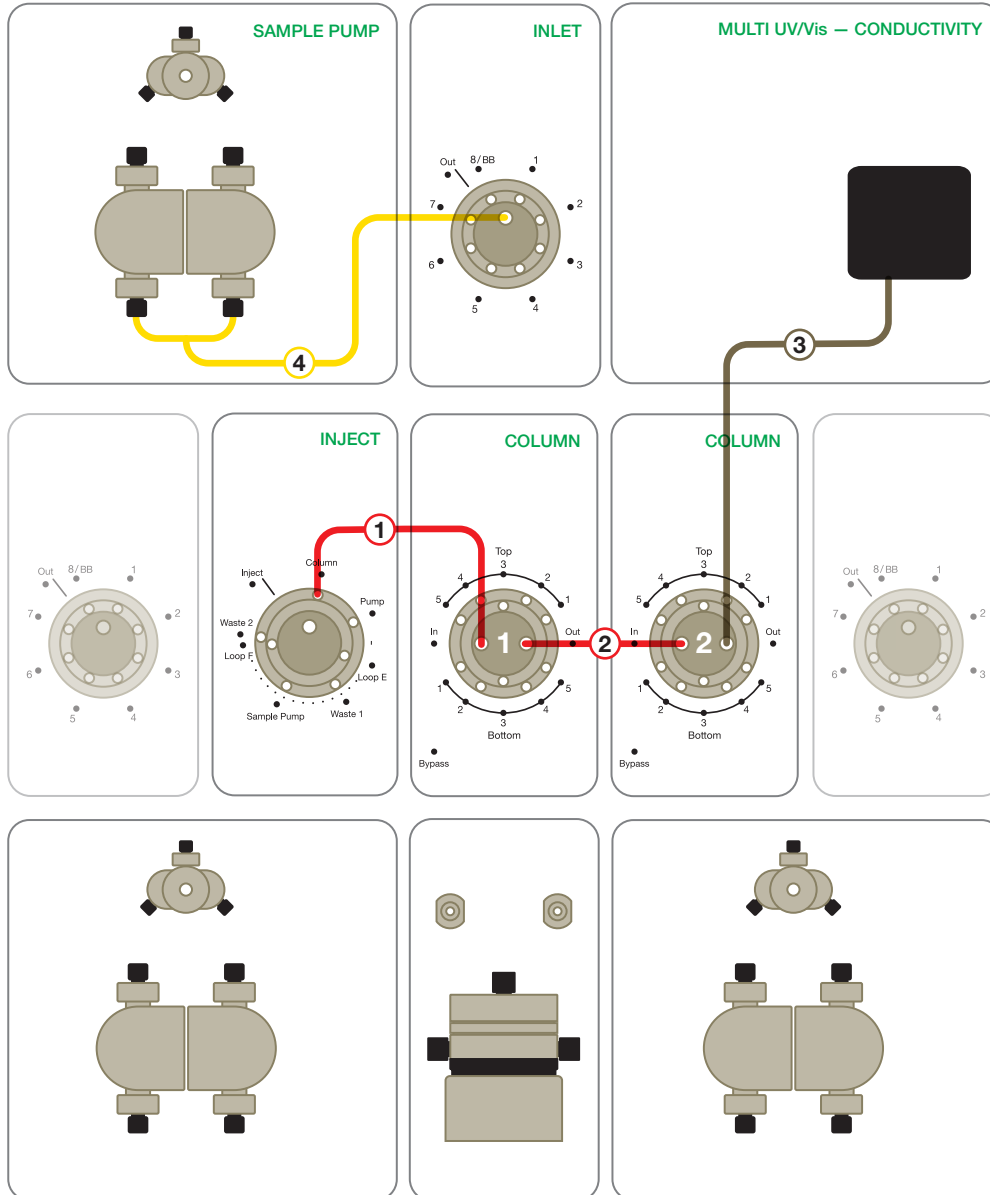


Blank modules are shown in the optimal positions to minimize tubing length and swept volume.



# 3-TIER + 2 CSV + SAMPLE PUMP + 1 SAMPLE INLET for Tandem Chromatography Applications (with additional buffer selection)

3-tier system with sample pump and sample inlet valve for multiple samples on tandem applications.



### Example Templates

- Affinity 1 ml – Desalting
- Affinity 5 ml – Desalting
- Affinity 1 ml – Linear Gradient
- Affinity 1 ml – Step Gradient
- Affinity 5 ml – Linear Gradient
- Affinity 5 ml – Step Gradient

### Tubing

- 1** Tube #2 – Length: 17 cm  
Inject Valve Column to  
Column Switching Valve 1 In
- 2** Tube #2 – Length: 17 cm  
Column Switching Valve 1 Out  
to Column Switching Valve 2 In
- 3** MWD:  
Tube #10 – Length: 33.5 cm  
or Custom – Length: 26 cm  
Column Switching Valve 2 Out  
to Multi-Wavelength Detector In
- 4** Tube #1 – Length: 24.5 cm  
(1/16" green PEEK if <5 ml/min  
or 1/8" FEP if >5 ml/min)  
Sample Inlet Valve Out to  
Sample Pump In

Additional modules (grayed out) are shown in the optimal positions to minimize tubing length and swept volume.

# 3-TIER + 2 CSV + SAMPLE PUMP + 1 SAMPLE INLET

## for Tandem Chromatography Applications (with additional buffer selection and pH monitoring)

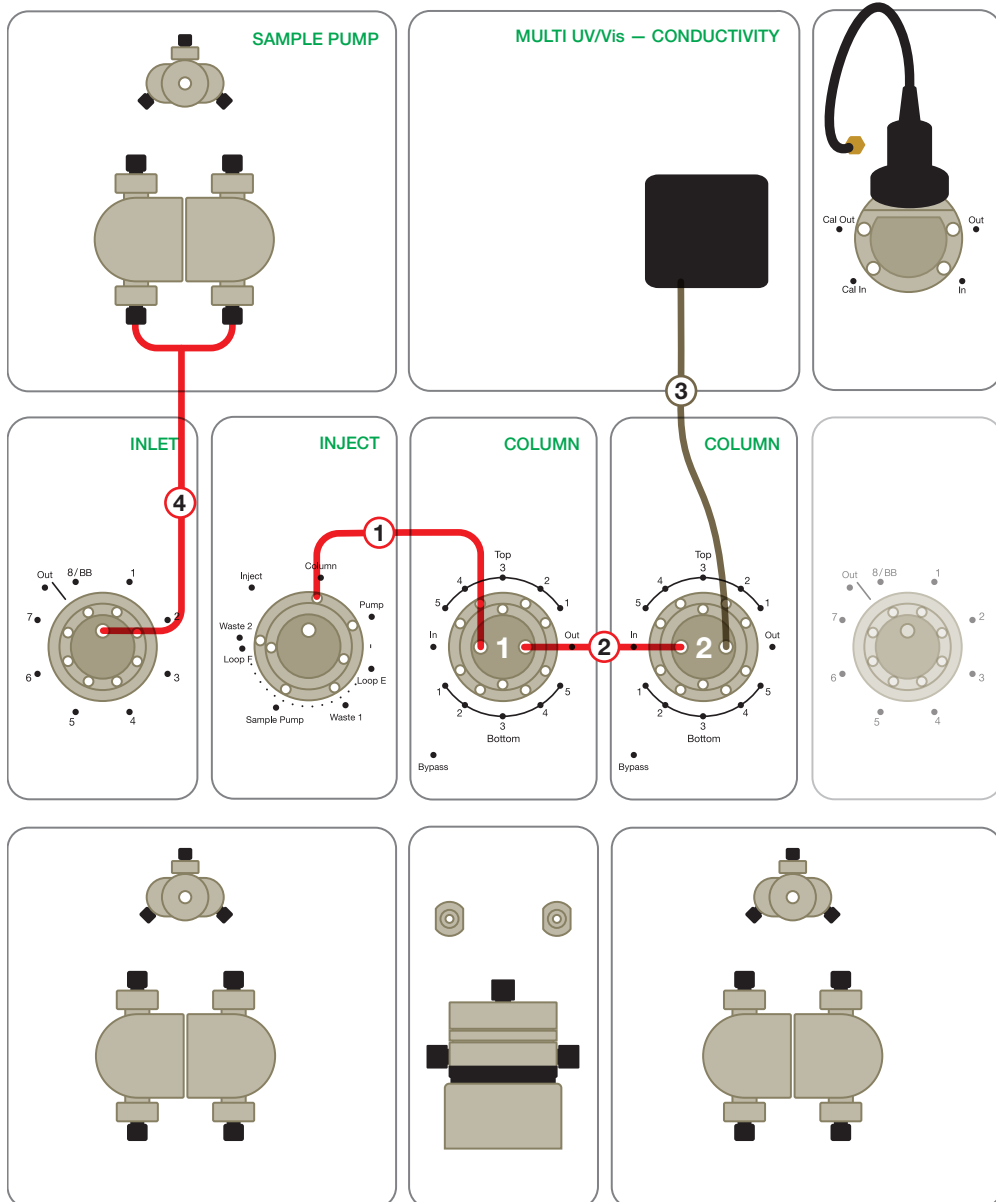
3-tier system with sample pump and sample inlet valve for multiple samples on tandem applications.

### Example Templates

- Affinity 1 ml – Desalting
- Affinity 5 ml – Desalting
- Affinity 1 ml – Linear Gradient
- Affinity 1 ml – Step Gradient
- Affinity 5 ml – Linear Gradient
- Affinity 5 ml – Step Gradient

### Tubing

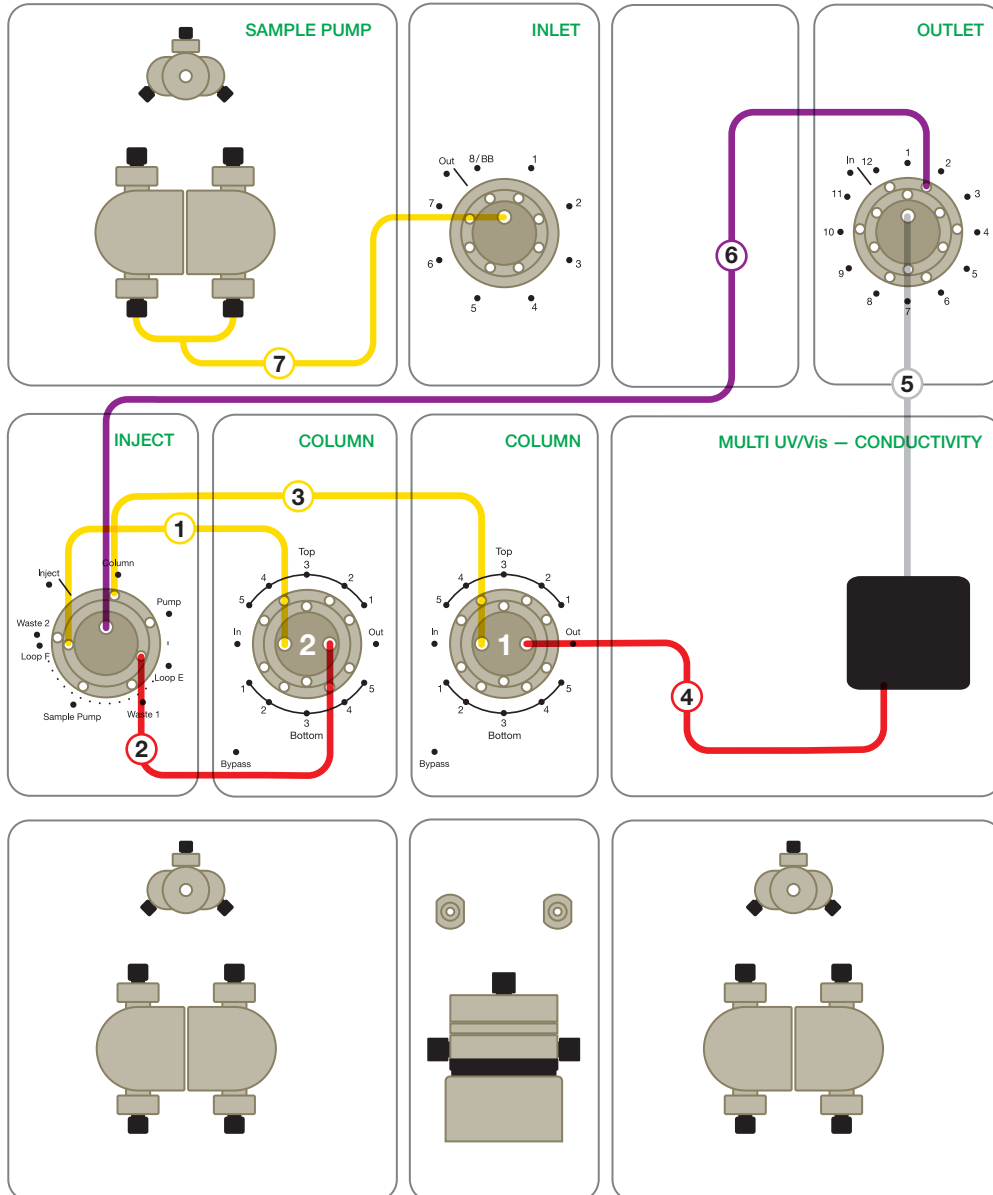
- 1** Tube #2 – Length: 17 cm  
Inject Valve Column to  
Column Switching Valve 1 In
- 2** Tube #2 – Length: 17 cm  
Column Switching Valve 1 Out to  
to Column Switching Valve 2 In
- 3** MWD:  
Tube #10 – Length: 33.5 cm  
Column Switching Valve 2 Out to  
to Multi-Wavelength Detector In
- 4** Tube #2 – Length: 17 cm  
(1/16" green PEEK if <5 ml/min  
or 1/8" FEP if >5 ml/min)  
Sample Inlet Valve Out to  
to Sample Pump In



Additional module (grayed out) is shown in the optimal position to minimize tubing length and swept volume.

# 3-TIER + 2 CSV + SAMPLE PUMP + 1 SAMPLE INLET + 1 OUTLET for 2-D and Tandem Chromatography Applications

3-tier system with sample pump and sample inlet valve for multiple samples on 2-D and tandem applications.



### Example Templates

- 2-D Affinity 1 ml – SEC
- 2-D Affinity 5 ml – Desalting
- Affinity 1 ml – Linear Gradient
- Affinity 1 ml – Step Gradient
- Affinity 5 ml – Linear Gradient
- Affinity 5 ml – Step Gradient

### Tubing

- 1** Tube #1 – Length: 24.5 cm  
Inject Valve Loop F to  
Column Switching Valve 2 In
- 2** Tube #2 – Length: 17 cm  
Column Switching Valve 2 Out  
to Inject Valve Loop E
- 3** Tube #1 – Length: 24.5 cm  
Inject Valve Column to  
Column Switching Valve 1 In
- 4** MWD:  
Tube #1 – Length: 24.5 cm  
Column Switching Valve 1 Out  
to Multi-Wavelength Detector In
- 5** Medium Pressure:  
Tube #3 – Length: 10 cm →  
20 psi Backpressure Fitting →  
Tube #3 – Length: 10 cm or  
Low Pressure (not shown):  
Tube #2 – Length: 17 cm  
Conductivity Sensor Out  
to Outlet Valve In
- 6** Tube #4 – Length: 50 cm  
Outlet Valve Port 2 to  
Inject Valve Injection Port
- 7** Tube #1 – Length: 24.5 cm  
(1/16" green PEEK if <5 ml/min  
or 1/8" FEP if >5 ml/min)  
Sample Inlet Valve In to  
Sample Pump In

Blank module is shown in the optimal position to minimize tubing length and swept volume.

## 3-TIER + 2 CSV + SAMPLE PUMP + 1 SAMPLE INLET + 1 OUTLET for 2-D and Tandem Chromatography Applications (with additional buffer selection)

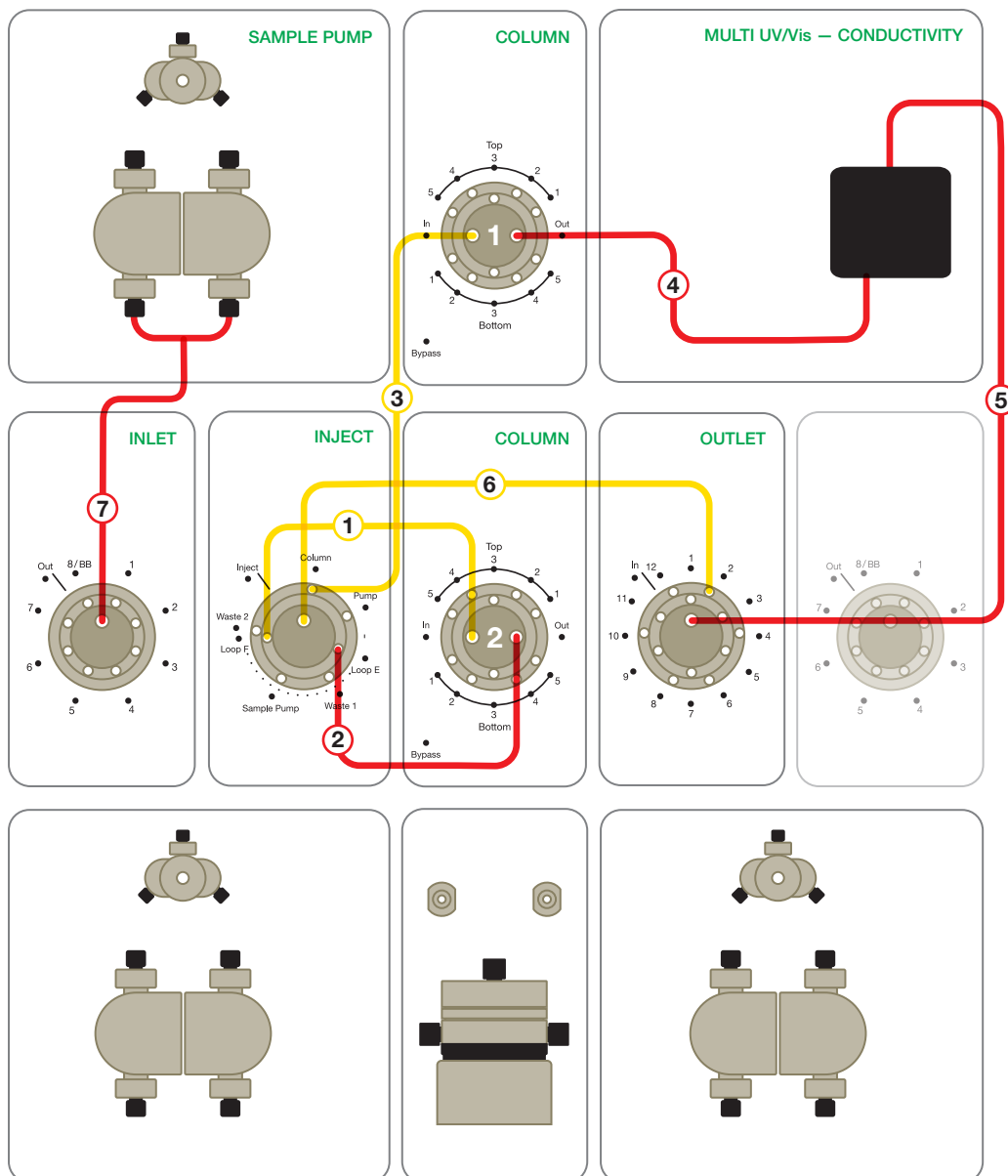
3-tier system with sample pump and sample inlet valve for multiple samples on 2-D and tandem applications.

### Example Templates

- 2-D Affinity 1 ml – SEC
- 2-D Affinity 5 ml – Desalting
- Affinity 1 ml – Linear Gradient
- Affinity 1 ml – Step Gradient
- Affinity 5 ml – Linear Gradient
- Affinity 5 ml – Step Gradient

### Tubing

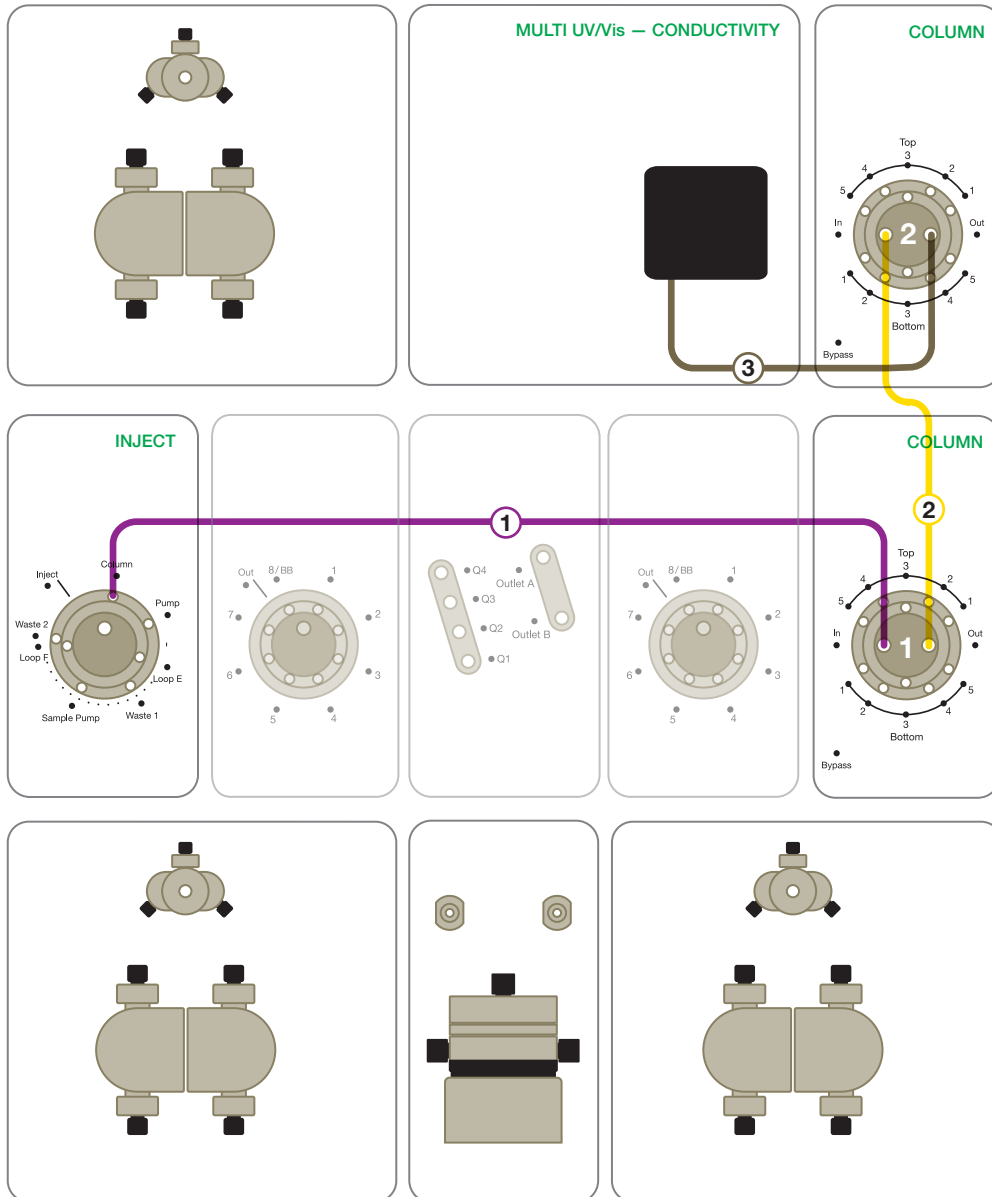
- 1** Tube #1 – Length: 24.5 cm  
Inject Valve Loop F to  
Column Switching Valve 2 In
- 2** Tube #2 – Length: 17 cm  
Column Switching Valve 2 Out  
to Inject Valve Loop E
- 3** Tube #1 – Length: 24.5 cm  
Inject Valve Column to  
Column Switching Valve 1 In
- 4** MWD:  
Tube #1 – Length: 24.5 cm  
Column Switching Valve 1 Out  
to Multi-Wavelength Detector In
- 5** Medium Pressure:  
Tube #2 – Length: 17 cm →  
20 psi Backpressure Fitting →  
Tube #1 – Length 24.5 cm or  
Low Pressure (not shown):  
Custom – Length: 41 cm  
Conductivity Sensor Out to  
Outlet Valve In
- 6** Tube #1 – Length: 24.5 cm  
Outlet Valve Port 2 to  
Inject Valve Injection Port
- 7** Tube #2 – Length: 17 cm  
(1/16" green PEEK if <5 ml/min  
or 1/8" FEP if >5 ml/min)  
Sample Inlet Valve Out to  
Sample Pump In



Additional module (grayed out) is shown in the optimal position to minimize tubing length and swept volume.

# 3-TIER + 2 CSV + 2 BUFFER INLETS + BUFFER BLENDING VALVE for Tandem Chromatography Applications

3-tier system for tandem affinity and desalting columns. Proteins are eluted from the affinity column directly onto the desalting column.



### Example Templates

- Affinity 1 ml — Desalting
- Affinity 5 ml — Desalting
- Affinity 1 ml — Linear Gradient
- Affinity 1 ml — Step Gradient
- Affinity 5 ml — Linear Gradient
- Affinity 5 ml — Step Gradient

### Tubing

- 1** Tube #4 — Length: 50 cm  
Inject Valve Column to  
Column Switching Valve 1 In
- 2** Tube #1 — Length: 24.5 cm  
Column Switching Valve 1 Out  
to Column Switching Valve 2 In
- 3** MWD:  
Tube #10 — Length: 33.5 cm  
Column Switching Valve 2 Out  
to Multi-Wavelength Detector In

Additional modules (grayed out) are shown in the optimal positions to minimize tubing length and swept volume.

## 3-TIER + 3 CSV + SAMPLE PUMP + 1 SAMPLE INLET + 1 OUTLET for 2-D and Tandem Chromatography Applications

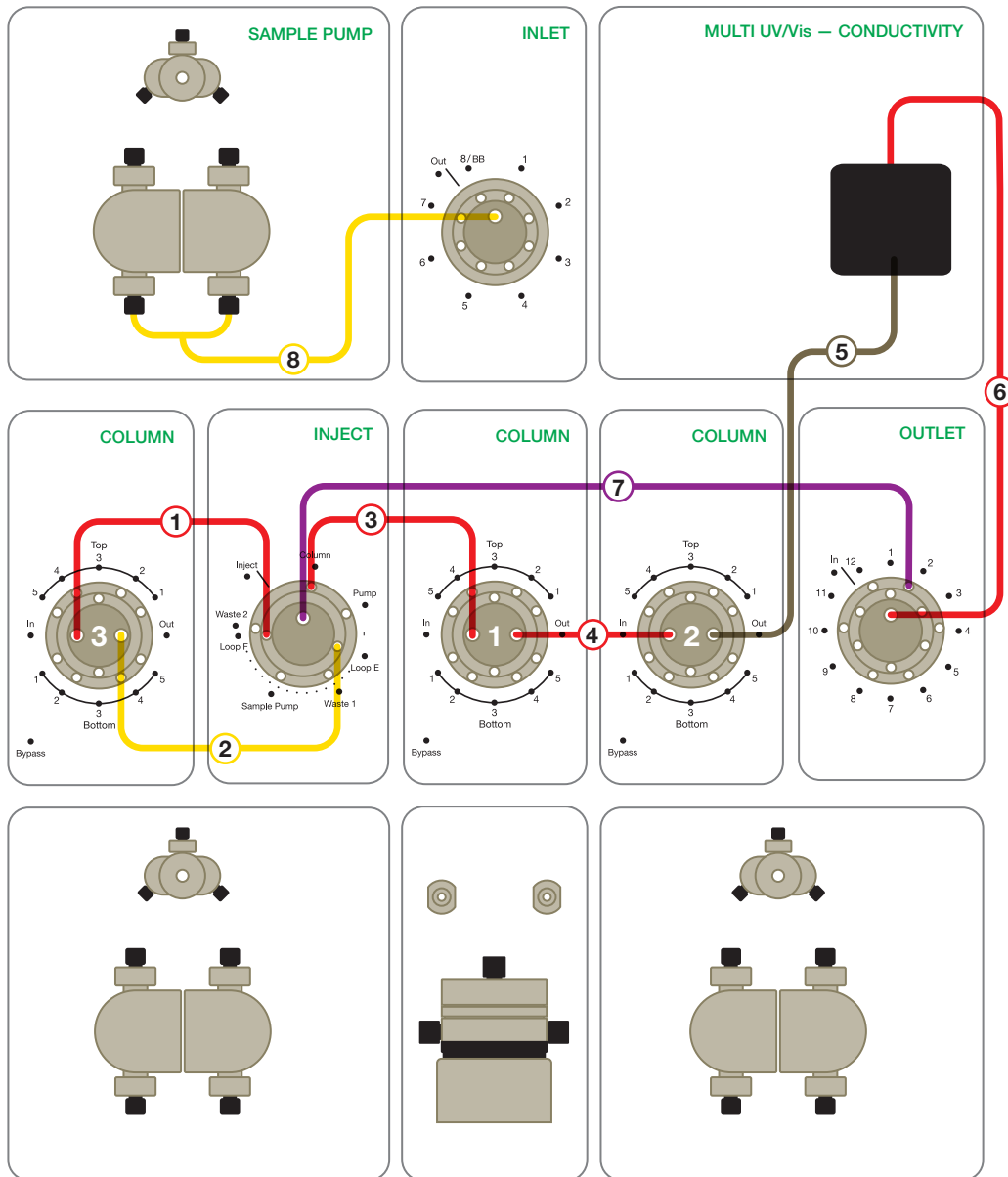
3-tier system with sample pump and sample inlet valve for multiple samples on 2-D and tandem applications.

### Example Templates

- 2-D Affinity 1 ml – SEC
- 2-D Affinity 5 ml – Desalting
- Affinity 1 ml – Linear Gradient
- Affinity 1 ml – Step Gradient
- Affinity 1 ml – Step Gradient (manual)
- Affinity 5 ml – Linear Gradient
- Affinity 5 ml – Step Gradient
- Affinity 1 ml – Desalting
- Affinity 5 ml – Desalting

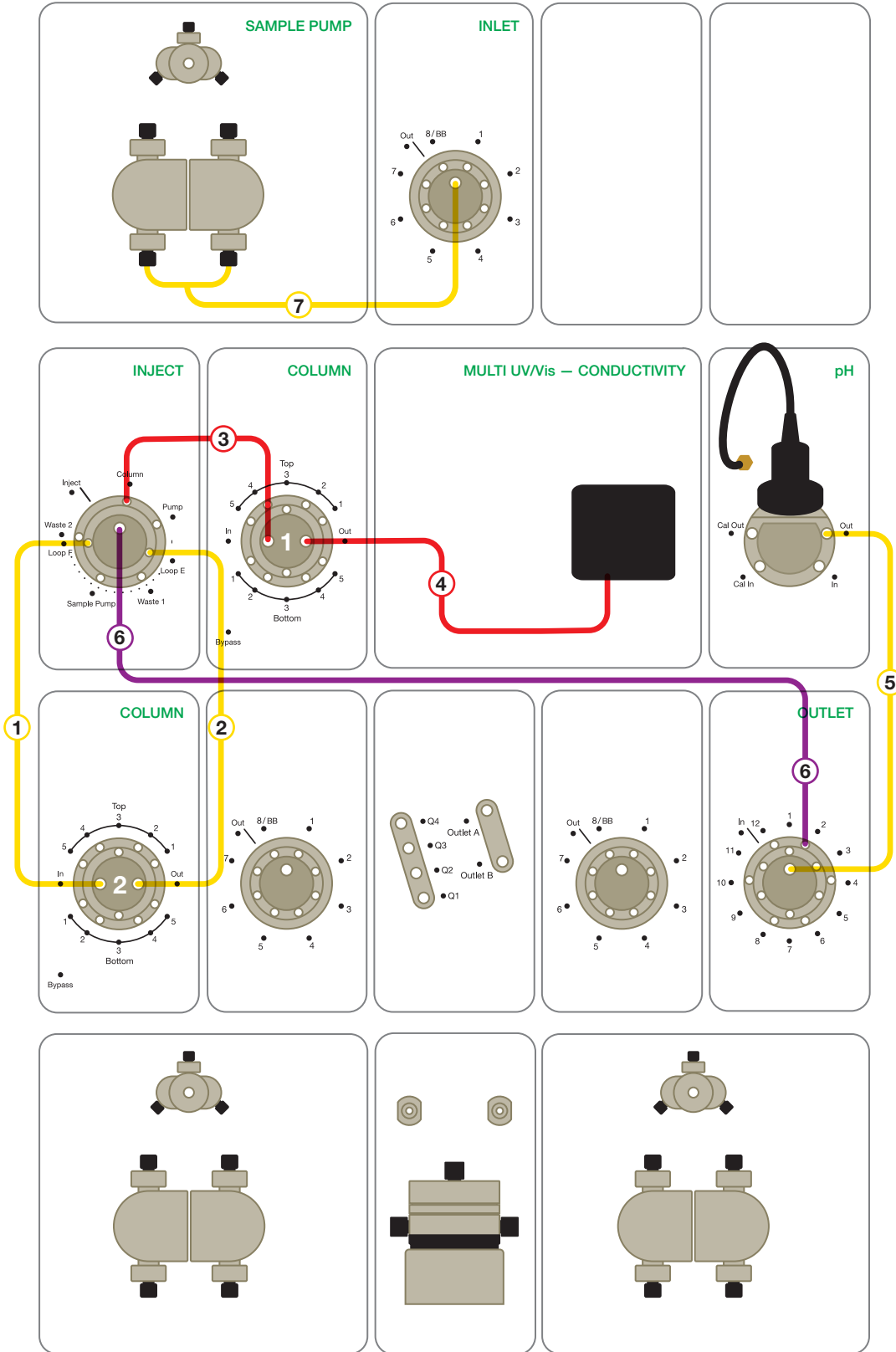
### Tubing

- 1** Tube #2 – Length: 17 cm  
Inject Valve Loop F to  
Column Switching Valve 3 In
- 2** Tube #1 – Length: 24.5 cm  
Column Switching Valve 3 Out  
to Inject Valve Loop E
- 3** Tube #2 – Length: 17 cm  
Inject Valve Column to  
Column Switching Valve 1 In
- 4** Tube #2 – Length: 17 cm  
Column Switching Valve 1 Out  
to Column Switching Valve 2 In
- 5** MWD:  
Tube #10 – Length: 33.5 cm  
or Custom – Length: 26 cm  
Column Switching Valve 2 Out  
to Multi-Wavelength Detector In
- 6** Medium Pressure:  
Tube #2 – Length: 17 cm →  
20 psi Backpressure Fitting →  
Tube #1 – Length 24.5 cm or  
Low Pressure (not shown):  
Custom – Length: 41 cm  
Conductivity Sensor Out  
to Outlet Valve In
- 7** Tube #4 – Length 50 cm  
or Custom – Length: 45 cm  
Outlet Valve Port 2 to  
Inject Valve Injection Port
- 8** Tube #1 – Length 24.5 cm  
(1/16" green PEEK <5 ml/min  
or 1/8" FEP >5 ml/min)  
Sample Inlet Valve Out  
to Sample Pump In



# 4-TIER (DISCOVER PRO) + 1 CSV for 2-D Chromatography Applications

4-tier system with sample pump and sample inlet valve for multiple samples on 2-D applications.



### Example Templates

- 2-D Affinity 1 ml – SEC
- 2-D Affinity 5 ml – Desalting
- Affinity 1 ml – Linear Gradient
- Affinity 1 ml – Step Gradient
- Affinity 1 ml – Step Gradient (manual)
- Affinity 5 ml – Linear Gradient
- Affinity 5 ml – Step Gradient

### Tubing

- 1** Tube #1 – Length: 24.5 cm  
Inject Valve Loop F to Column Switching Valve 2 In
- 2** Tube #1 – Length: 24.5 cm  
Column Switching Valve 2 Out to Inject Valve Loop E
- 3** Tube #2 – Length: 17 cm  
Inject Valve Column to Column Switching Valve 1 In
- 4** MWD:  
Tube #1 – Length: 24.5 cm  
Column Switching Valve 1 Out to Multi-Wavelength Detector In
- 5** Tube #1 – Length: 24.5 cm  
pH Valve Out to Outlet Valve In
- 6** Tube #4 – Length: 50 cm  
Outlet Valve Port 2 to Inject Valve Injection Port
- 7** Tube #1 – Length 24.5 cm  
(1/16" green PEEK <5 ml/min or 1/8" FEP >5 ml/min)  
Sample Inlet Valve Out to Sample Pump In

Blank modules are shown in the optimal positions to minimize tubing length and swept volume.

# 4-TIER (DISCOVER PRO) + 1 CSV for Tandem Chromatography Applications

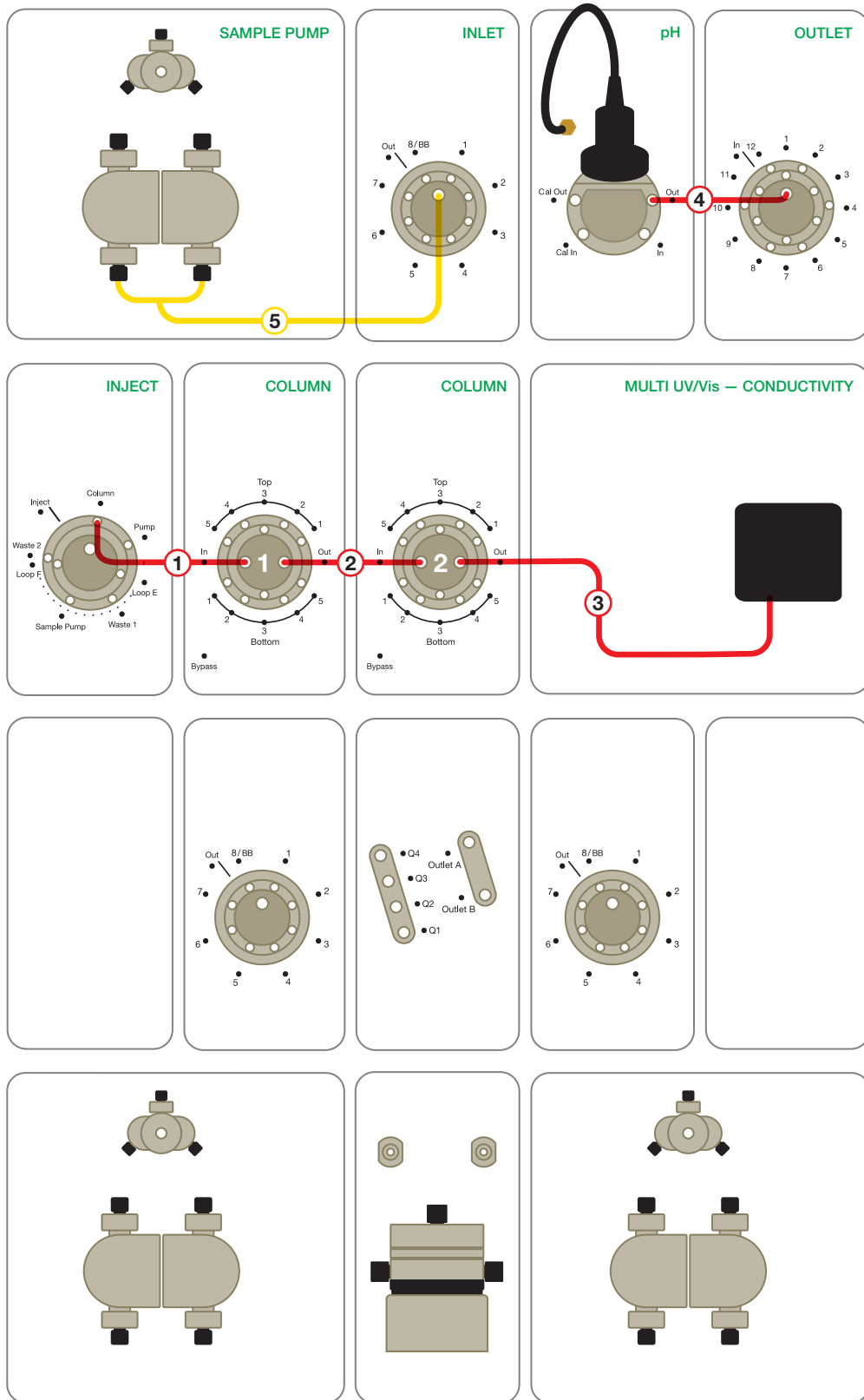
4-tier system with sample pump and sample inlet valve for multiple samples on tandem applications.

### Example Templates

- Affinity 1 ml – Linear Gradient
- Affinity 1 ml – Step Gradient
- Affinity 1 ml – Step Gradient (manual)
- Affinity 5 ml – Linear Gradient
- Affinity 5 ml – Step Gradient
- Affinity 1 ml – Desalting
- Affinity 5 ml – Desalting

### Tubing

- 1** Tube #2 – Length: 17 cm  
Inject Valve Column to Column Switching Valve 1 In
- 2** Tube #2 – Length: 17 cm  
Column Switching Valve 1 Out to Column Switching Valve 2 In
- 3** MWD:  
Tube #1 – Length: 24.5 cm  
Column Switching Valve 2 Out to Multi-Wavelength Detector In
- 4** Tube #2 – Length: 17 cm  
pH Valve Out to Outlet Valve In
- 5** Tube #1 – Length 24.5 cm  
(1/16" green PEEK if <5 ml/min or 1/8" FEP if >5 ml/min)  
Sample Inlet Valve Out to Sample Pump In



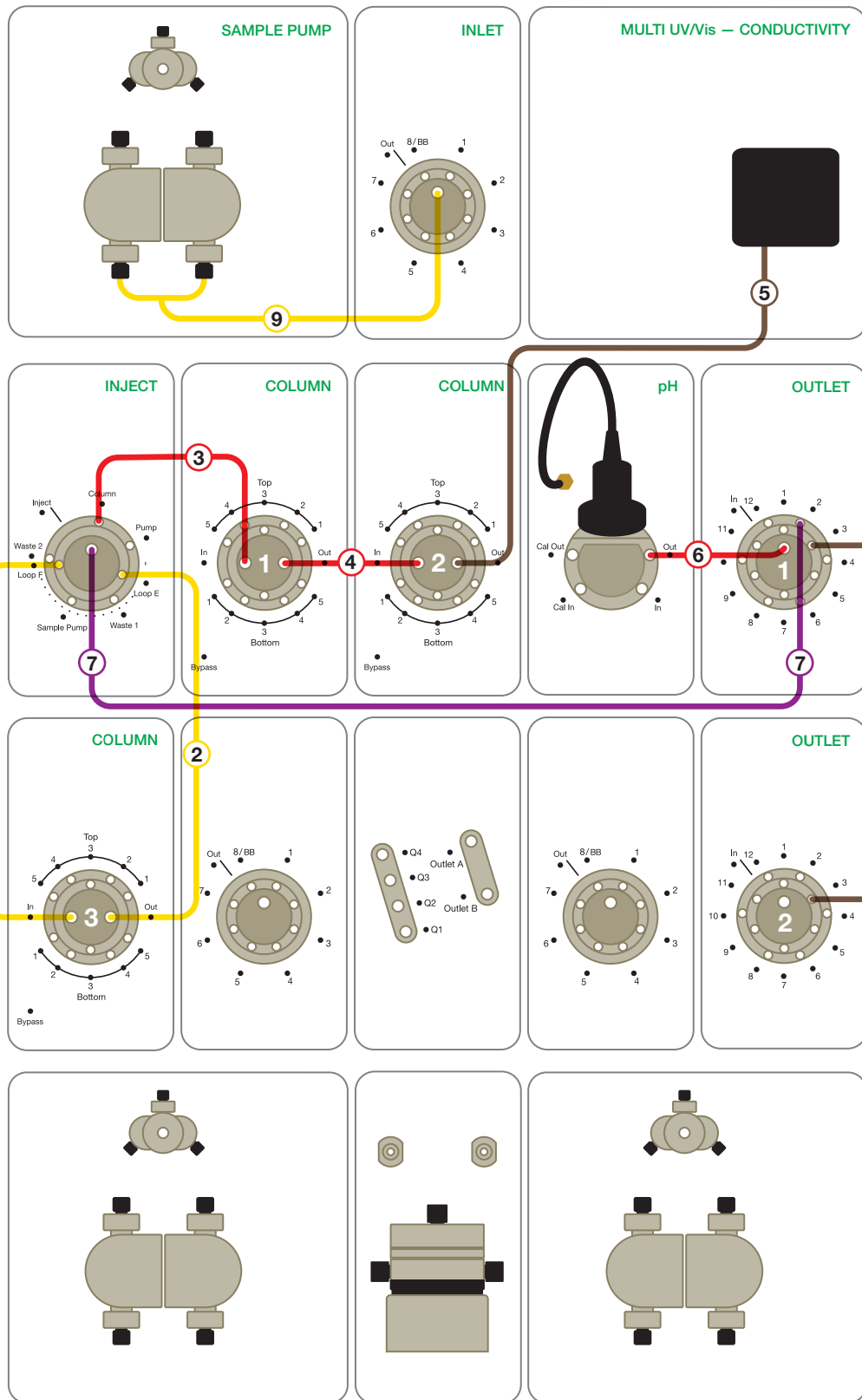
The NGC Discover Pro System includes 1 CSV, 1 sample pump, 1 sample inlet valve, 2 buffer inlet valves, 1 outlet valve, 1 pH valve, and 1 buffer blending valve.

Blank modules are shown in the optimal positions to minimize tubing length and swept volume.



# 4-TIER (DISCOVER PRO) + 2 CSV + 1 OUTLET for 2-D and Tandem Chromatography Applications

4-tier system with sample pump and sample inlet valve for multiple samples on 2-D and tandem applications.



### Example Templates

- 2-D Affinity 1 ml – SEC
- 2-D Affinity 5 ml – Desalting
- Affinity 1 ml – Linear Gradient
- Affinity 1 ml – Step Gradient
- Affinity 1 ml – Step Gradient (manual)
- Affinity 5 ml – Linear Gradient
- Affinity 5 ml – Step Gradient
- Affinity 1 ml – Desalting
- Affinity 5 ml – Desalting

### Tubing

- 1** Tube #1 – Length: 24.5 cm  
Inject Valve Loop F to  
Column Switching Valve 3 In
- 2** Tube #1 – Length: 24.5 cm  
Column Switching Valve 3 Out  
to Inject Valve Loop E
- 3** Tube #2 – Length: 17 cm  
Inject Valve Column to  
Column Switching Valve 1 In
- 4** Tube #2 – Length: 17 cm  
Column Switching Valve 1 Out  
to Column Switching Valve 2 In
- 5** MWD:  
Tube #10 – Length: 33.5 cm  
Column Switching Valve 2 Out  
to Multi-Wavelength Detector In
- 6** Tube #2 – Length: 17 cm  
pH Valve Out to  
Outlet Valve 1 In
- 7** Tube #4 – Length: 50 cm  
Outlet Valve 1 Port 2 to  
Inject Valve Injection Port
- 8** Tube #10 – Length: 33.5 cm  
Outlet Valve 1 Port 3 to  
Outlet Valve 2 In
- 9** Tube #1 – Length 24.5 cm  
(1/16" green PEEK if <5 ml/min  
or 1/8" FEP if >5 ml/min)  
Sample Inlet Valve Out to  
Sample Pump In

The NGC Discover Pro System includes 1 CSV, 1 sample pump, 1 sample inlet valve, 2 buffer inlet valves, 1 outlet valve, 1 pH valve, and 1 buffer blending valve.

# 4-TIER (DISCOVER PRO) + 2 CSV + 1 SAMPLE INLET for 2-D and Tandem Chromatography Applications

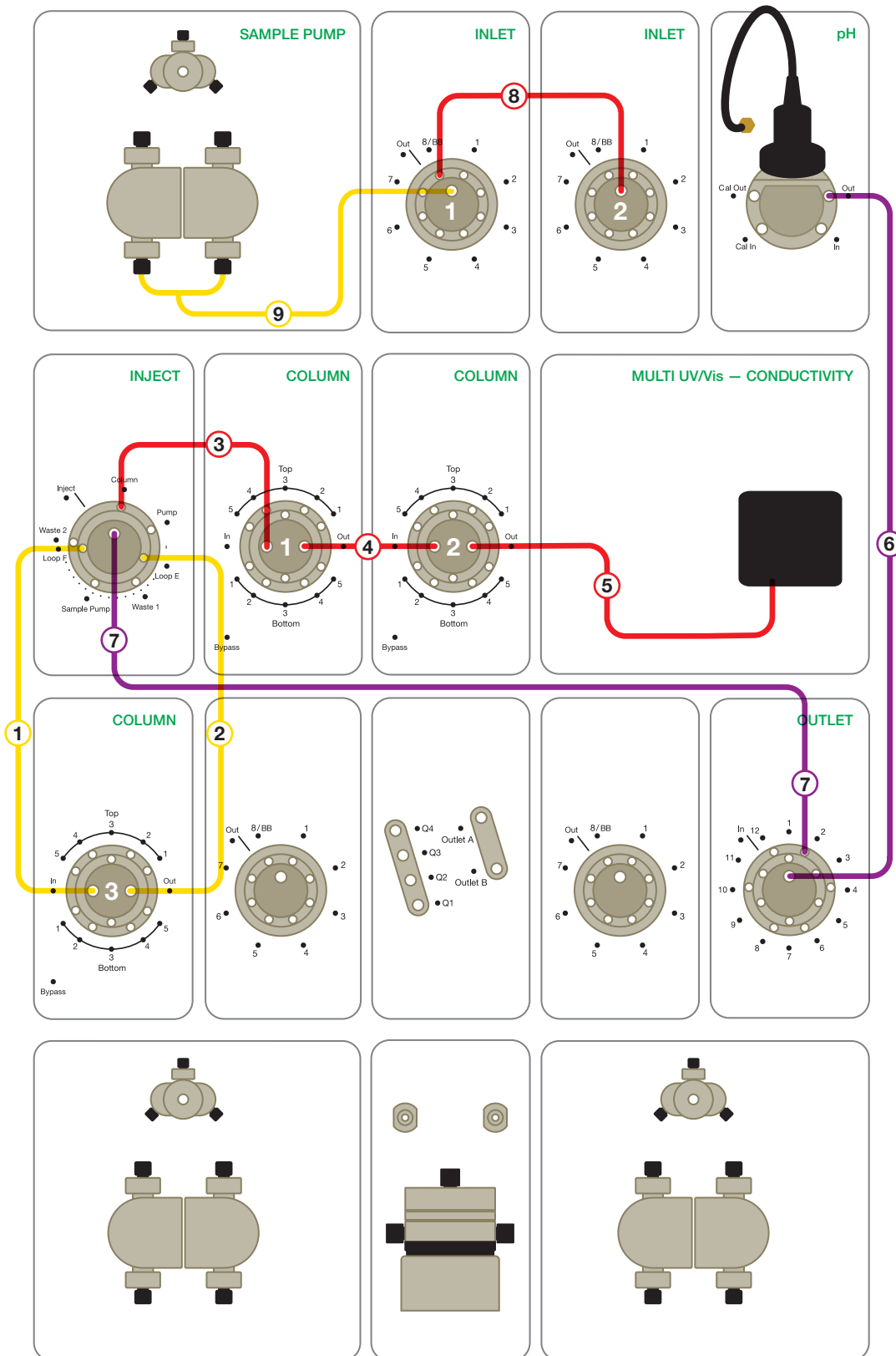
4-tier system with sample pump and sample inlet valves for multiple samples on 2-D and tandem applications.

### Example Templates

- 2-D Affinity 1 ml – SEC
- 2-D Affinity 5 ml – Desalting
- Affinity 1 ml – Linear Gradient
- Affinity 1 ml – Step Gradient
- Affinity 1 ml – Step Gradient (manual)
- Affinity 5 ml – Linear Gradient
- Affinity 5 ml – Step Gradient
- Affinity 1 ml – Desalting
- Affinity 5 ml – Desalting

### Tubing

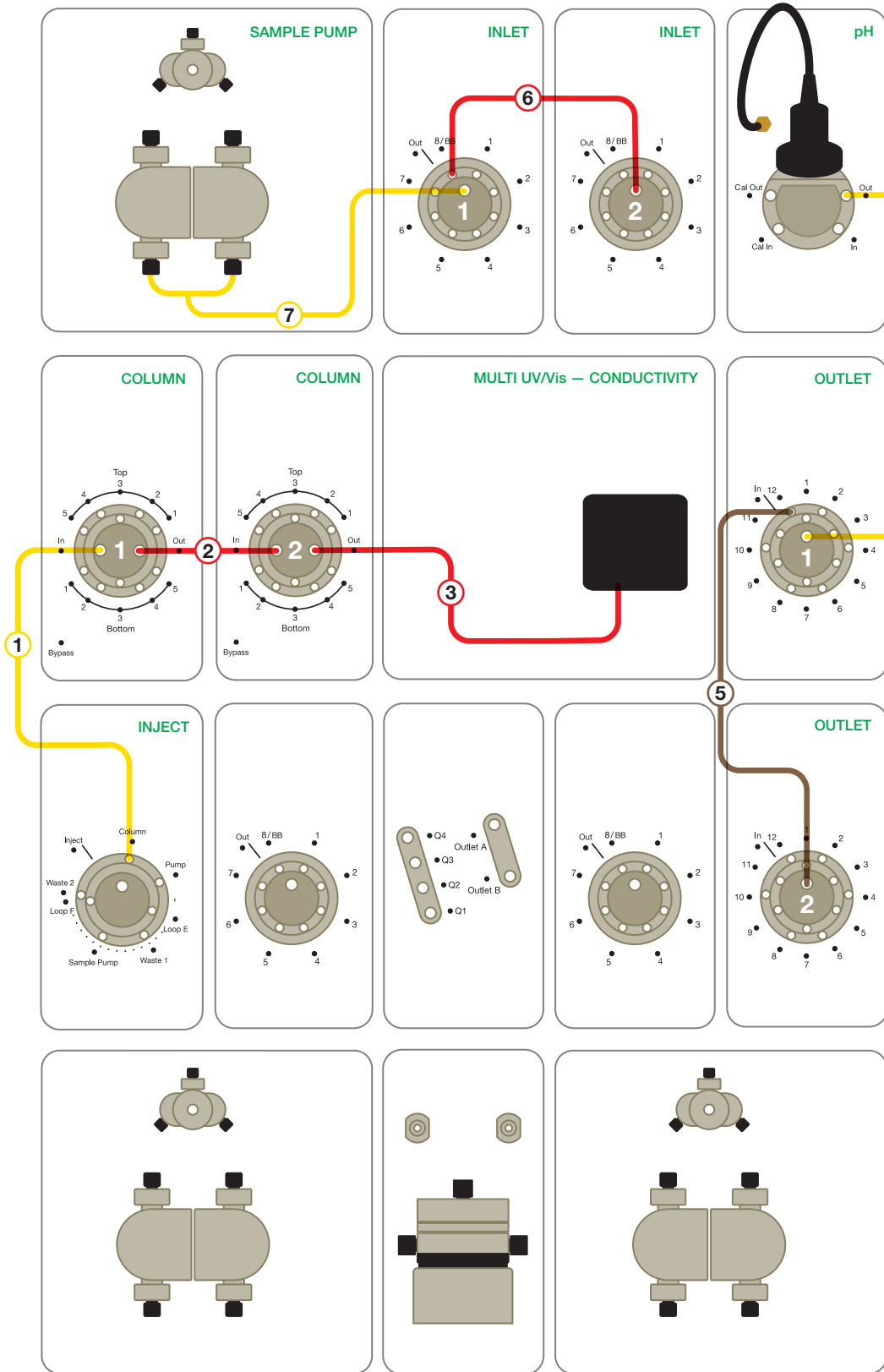
- 1** Tube #1 – Length: 24.5 cm  
Inject Valve Loop F to  
Column Switching Valve 3 In
- 2** Tube #1 – Length: 24.5 cm  
Column Switching Valve 3 Out  
to Inject Valve Loop E
- 3** Tube #2 – Length: 17 cm  
Inject Valve Column to  
Column Switching Valve 1 In
- 4** Tube #2 – Length: 17 cm  
Column Switching Valve 1 Out  
to Column Switching Valve 2 In
- 5** MWD:  
Tube #1 – Length: 24.5 cm  
Column Switching Valve 2 Out  
to Multi-Wavelength Detector In
- 6** Tube #4 – Length: 50 cm or  
Custom – Length: 45 cm  
pH Valve Out to Outlet Valve In
- 7** Tube #4 – Length: 50 cm  
Outlet Valve Port 2 to  
Inject Valve Injection Port
- 8** Tube #2 – Length: 17 cm  
(1/16" green PEEK if <5 ml/min  
or 1/8" FEP if >5 ml/min)  
Sample Inlet Valve 2 Out to  
Sample Inlet Valve 1 Port 8
- 9** Tube #1 – Length: 24.5 cm  
(1/16" green PEEK if <5 ml/min  
or 1/8" FEP if >5 ml/min)  
Sample Inlet Valve 1 Out to  
Sample Pump In



The NGC Discover Pro System includes 1 CSV, 1 sample pump, 1 sample inlet valve, 2 buffer inlet valves, 1 outlet valve, 1 pH valve, and 1 buffer blending valve.

# 4-TIER (DISCOVER PRO) + 1 CSV + 1 SAMPLE INLET + 1 OUTLET for Tandem Chromatography Applications

4-tier system with sample pump and sample inlet valves for multiple samples on tandem applications. Two outlet valves provide enhanced fraction collection flexibility.



### Example Templates

- Affinity 1 ml — Linear Gradient
- Affinity 1 ml — Step Gradient
- Affinity 1 ml — Step Gradient (manual)
- Affinity 5 ml — Linear Gradient
- Affinity 5 ml — Step Gradient
- Affinity 1 ml — Desalting
- Affinity 5 ml — Desalting

### Tubing

- 1** Tube #1 — Length: 24.5 cm  
Inject Valve Column to Column Switching Valve 1 In
- 2** Tube #2 — Length: 17 cm  
Column Switching Valve 1 Out to Column Switching Valve 2 In
- 3** MWD:  
Tube #1 — Length: 24.5 cm  
Column Switching Valve 2 Out to Multi-Wavelength Detector In
- 4** Tube #1 — Length: 24.5 cm  
pH Valve Out to Outlet Valve 1 In
- 5** Tube #10 — Length: 33.5 cm  
Outlet Valve 1 Port 12 to Outlet Valve 2 In
- 6** Tube #2 — Length: 17 cm  
(1/16" green PEEK if <5 ml/min or 1/8" FEP if >5 ml/min)  
Sample Inlet Valve 2 Out to Sample Inlet Valve 1 Port 8
- 7** Tube #1 — Length: 24.5 cm  
(1/16" green PEEK if <5 ml/min or 1/8" FEP if >5 ml/min)  
Sample Inlet Valve 1 Out to Sample Pump In

The NGC Discover Pro System includes 1 CSV, 1 sample pump, 1 sample inlet valve, 2 buffer inlet valves, 1 outlet valve, 1 pH valve, and 1 buffer blending valve.

# 4-TIER (DISCOVER PRO) + 1 CSV + 1 SAMPLE INLET + 1 OUTLET for 2-D and Tandem Chromatography Applications

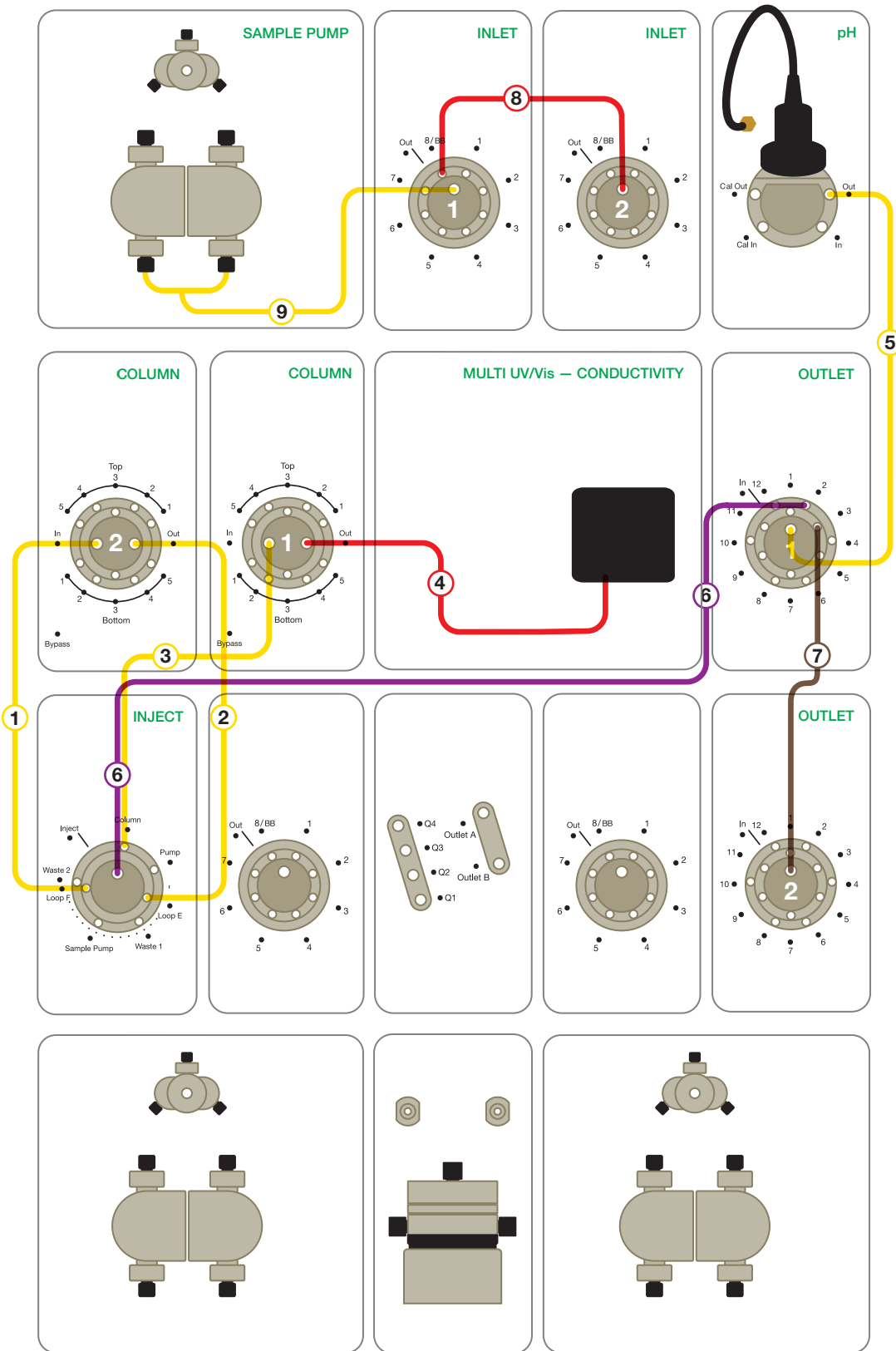
4-tier system with sample pump and sample inlet valves for multiple samples on 2-D and tandem applications. Two outlet valves provide enhanced fraction collection flexibility.

### Example Templates

- 2-D Affinity 1 ml – SEC
- 2-D Affinity 5 ml – Desalting
- Affinity 1 ml – Linear Gradient
- Affinity 1 ml – Step Gradient
- Affinity 1 ml – Step Gradient (manual)
- Affinity 5 ml – Linear Gradient
- Affinity 5 ml – Step Gradient

### Tubing

- 1** Tube #1 – Length: 24.5 cm  
Inject Valve Loop F to  
Column Switching Valve 2 In
- 2** Tube #1 – Length: 24.5 cm  
Column Switching Valve 2 Out to  
Inject Valve Loop E
- 3** Tube #1 – Length: 24.5 cm  
Inject Valve Column to  
Column Switching Valve 1 In
- 4** MWD:  
Tube #1 – Length: 24.5 cm  
Column Switching Valve 1 Out to  
Multi-Wavelength Detector In
- 5** Tube #1 – Length: 24.5 cm  
pH Valve Out to  
Outlet Valve 1 In
- 6** Tube #4 – Length: 50 cm  
Outlet Valve 1 Port 2 to  
Inject Valve Injection Port
- 7** Tube #10 – Length: 33.5 cm  
Outlet Valve 1 Port 3 to  
Outlet Valve 2 In
- 8** Tube #2 – Length: 17 cm  
(1/16" green PEEK if <5 ml/min  
or 1/8" FEP if >5 ml/min)  
Sample Inlet Valve 2 Out to  
Sample Inlet Valve 1 Port 8
- 9** Tube #1 – Length: 24.5 cm  
(1/16" green PEEK if <5 ml/min  
or 1/8" FEP if >5 ml/min)  
Sample Inlet Valve 1 Out to  
Sample Pump In



The NGC Discover Pro System includes 1 CSV, 1 sample pump, 1 sample inlet valve, 2 buffer inlet valves, 1 outlet valve, 1 pH valve, and 1 buffer blending valve.

## Ordering Information

Catalog #	Description	Catalog #	Description
<b>NGC Medium-Pressure Chromatography Systems</b>		<b>Valves</b>	
<b>NGC Quest Plus Chromatography Systems</b>		7884010	<b>NGC Buffer Blending Valve Module</b> , pkg of 1, for inline buffer preparation and generating pH gradients for quick pH scouting and flow rate doubling
7880003	<b>NGC Quest 10 Plus System</b>	7884006	<b>NGC Inlet Valve Module</b> , pkg of 1, for automated switching between multiple buffers and samples during method development
7880004	<b>NGC Quest 100 Plus System</b>	7884012	<b>NGC Column Switching Valve Module (10 ml)</b> , holds 5 columns or sample loops; for use with F10 systems for quick column scouting, automated multicolumn, and reverse flow applications
<b>NGC Scout Plus Chromatography Systems</b>		7884026	<b>NGC Column Switching Valve Module (100 ml)</b> , holds 5 columns or sample loops; for use with F100 systems for quick column scouting, automated multicolumn, and reverse flow applications
For rapid scouting of proteins, peptides, and nucleic acids:		7884013	<b>NGC Outlet Valve Module</b> , pkg of 1, for automated fraction collection of large-volume fractions with up to 12 vessels
7880007	<b>NGC Scout 10 Plus System</b>	7884016	<b>NGC Signal Import Module</b> , pkg of 1, enables analog to digital signal conversion and connection to third-party autosamplers and detectors
7880008	<b>NGC Scout 100 Plus System</b>		
<b>NGC Discover Chromatography Systems</b>		<b>Air Sensors</b>	
For method development:		7885017	<b>NGC Air Sensor Module</b> , pkg of 1, kit includes 2 large-bore air sensors to detect end of buffer and sample to protect against air entering pumps and columns; supports up to 4 large- and small-bore air sensors
7880009	<b>NGC Discover 10 System</b>	7885018	<b>NGC Air Sensor Extension Module</b> , pkg of 1, connects to the base air sensor module to support 4 additional air sensors, does not include any air sensors, optional part
7880011	<b>NGC Discover 10 Pro System</b>	7885020	<b>NGC Small Air Sensor</b> , pkg of 1 air sensor to exclude air from system and columns; detects air in small-diameter PEEK Tubing
7880010	<b>NGC Discover 100 System</b>	7885021	<b>NGC Large Air Sensor</b> , pkg of 1 air sensor to exclude air from system and columns; detects air in large-diameter PTFE tubing
7880012	<b>NGC Discover 100 Pro System</b>		
<b>ChromLab Software</b>		<b>Fraction Collectors</b>	
12009390	<b>ChromLab Software</b>	Compatible with all NGC Systems:	
17000099	<b>ChromLab Software, User Management Edition</b> , allows networking of all NGC Systems to a centralized database, 1 license	17002070	<b>NGC Fraction Collector with Racks</b> , 100/240 V, includes power cord, rack set (two 13 mm tube racks), tubing, union
17000098	<b>ChromLab Software, User Management Edition</b> , 3 licenses	7410002	<b>BioFrac Fraction Collector</b> , 100/240 V, includes power cord, rack set F1 (2 x flatpack, 13 mm), BioFrac Diverter Valve, PEEK Tubing, standard dropper head
17000097	<b>ChromLab Software, User Management Edition</b> , 5 licenses		
7886001	<b>ChromLab Software, Security Edition</b> , U.S. FDA 21 CFR Part 11 module for ChromLab Software, maintains security logs and allows networking of all NGC Systems to a centralized database, 1 license		
7886003	<b>ChromLab Software, Security Edition</b> , 3 licenses		
7886005	<b>ChromLab Software, Security Edition</b> , 5 licenses		
<b>NGC System Modules and Accessories</b>		Visit <a href="http://bio-rad.com/NGC">bio-rad.com/NGC</a> for more information.	
All NGC modules and accessories include necessary tubing and fittings.			
<b>System Pumps</b>			
7884002	<b>NGC F10 Pump Module</b> , pkg of 1, 10 ml/min system pump kit for creating buffer gradients; for use with the buffer blending valve to generate flow rates of up to 20 ml/min		
7884003	<b>NGC F100 Pump Module</b> , pkg of 1, 100 ml/min system pump kit for creating buffer gradients; for use with the buffer blending valve to generate flow rates of up to 200 ml/min		
<b>Sample Pump</b>			
7884004	<b>NGC Sample Pump Module</b> , pkg of 1, 100 ml/min sample pump kit, for automated large-volume sample application via sample inject valve		
<b>Detector</b>			
12010343	<b>NGC Multi-Wavelength Detector II Module</b> , pkg of 1, UV/Vis and conductivity detector kit for simultaneous 4-wavelength monitoring of elution fractions between 190 and 800 nm and salt gradient generation		
7884011	<b>NGC pH Valve Module</b> , pkg of 1, kit includes the pH valve kit, pH probe, tubing, and fittings, for accurate inline pH measurement		
<b>Mixers</b>			
7884018	<b>NGC Mixer Module</b> , pkg of 1, includes a mixer motor assembly and an integrated system pressure sensor; can be extended with mixing barrels of various sizes; does not include mixer base or barrels		
7884019	<b>NGC F100 Mixer</b> , pkg of 1, 750 µl base and top assembly, included with all 100 ml/min NGC Systems		
7884020	<b>NGC F10 Mixer</b> , pkg of 1, 263 µl base and top assembly, included with all 10 ml/min NGC Systems		
7884021	<b>NGC F10 Mixer Barrel Kit</b> , pkg of 1, 750 µl extension barrel for F10 263 µl mixer, part of NGC Scout 10 Plus and NGC Discover 10 Systems		
7884022	<b>NGC F10 Mixer Barrel Kit</b> , pkg of 1, 2 ml extension barrel for F10 263 µl mixer, optional part		
7884028	<b>NGC F100 Mixer Barrel Kit</b> , pkg of 1, 2 ml extension barrel for F100 750 µl mixer, part of NGC Scout 100 Plus and NGC Discover 100 Systems		
7884023	<b>NGC F100 Mixer Barrel Kit</b> , pkg of 1, 5 ml extension barrel for F100 750 µl mixer, optional part		
7884024	<b>NGC F100 Mixer Barrel Kit</b> , pkg of 1, 12 ml extension barrel for 750 µl mixer, optional part		
7885171	<b>NGC High Flow Tubing Kit</b> , pkg of 1, for operating NGC Systems >80 ml/min		

BIO-RAD is a trademark of Bio-Rad Laboratories, Inc. All trademarks used herein are the property of their respective owner.



**Bio-Rad  
Laboratories, Inc.**

Life Science  
Group

**Website** [bio-rad.com](http://bio-rad.com) **USA** 1 800 424 6723 **Australia** 61 2 9914 2800 **Austria** 00 800 00 24 67 23 **Belgium** 00 800 00 24 67 23 **Brazil** 4003 0399  
**Canada** 1 905 364 3435 **China** 86 21 6169 8500 **Czech Republic** 00 800 00 24 67 23 **Denmark** 00 800 00 24 67 23 **Finland** 00 800 00 24 67 23  
**France** 00 800 00 24 67 23 **Germany** 00 800 00 24 67 23 **Hong Kong** 852 2789 3300 **Hungary** 00 800 00 24 67 23 **India** 91 124 4029300 **Israel** 0 3 9636050  
**Italy** 00 800 00 24 67 23 **Japan** 81 3 6361 7000 **Korea** 82 2 3473 4460 **Luxembourg** 00 800 00 24 67 23 **Mexico** 52 555 488 7670  
**The Netherlands** 00 800 00 24 67 23 **New Zealand** 64 9 415 2280 **Norway** 00 800 00 24 67 23 **Poland** 00 800 00 24 67 23 **Portugal** 00 800 00 24 67 23  
**Russian Federation** 00 800 00 24 67 23 **Singapore** 65 6415 3188 **South Africa** 00 800 00 24 67 23 **Spain** 00 800 00 24 67 23 **Sweden** 00 800 00 24 67 23  
**Switzerland** 00 800 00 24 67 23 **Taiwan** 886 2 2578 7189 **Thailand** 66 2 651 8311 **United Arab Emirates** 36 1 459 6150 **United Kingdom** 00 800 00 24 67 23

