

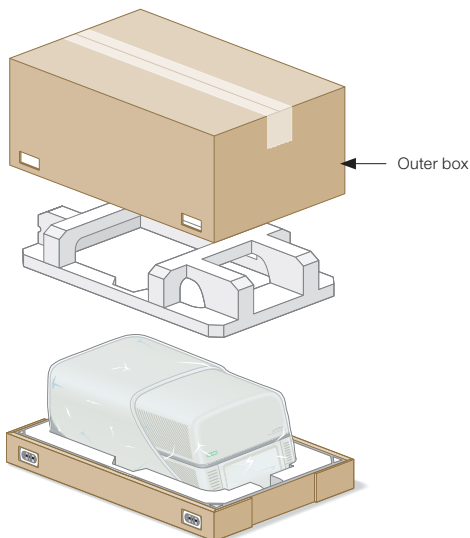
CFX Duet Real-Time PCR System Quick Start Guide

Unpacking and Installing the CFX Duet System

The CFX Duet System is packed in a single box with the accessories included in the box. The accessories kit includes the power cord, USB cable, shipping screw plug, and an Ethernet cable. Set the box on the benchtop and follow the instructions per the labels affixed to the shipping box. For more detailed instructions, refer to the instrument guide. The CFX Duet System **requires** a connected PC running the most current version of CFX Maestro Software to operate.

Unpacking the CFX Duet System

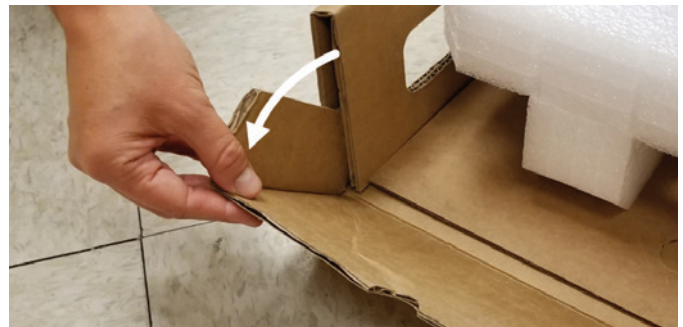
1. Remove the straps from the shipping box. DO NOT cut the top of the box open. Go to step 2 to continue unpacking the instrument.



2. Pinch and pull out the clips. After pulling out the four clips, lift up the outer box to expose the instrument.



3. Pull down for tray access.

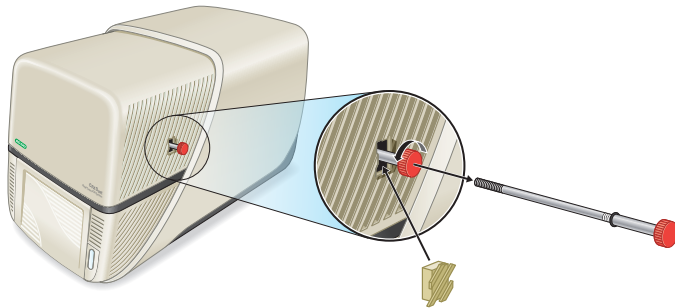


4. Slide tray to pull out the instrument.



Removal of the Shipping Screw

1. Use the supplied power cord to plug the CFX Duet System into an appropriate electrical outlet.
2. Turn on the CFX Duet System using the power switch located on the right-hand side on the back of the instrument.
3. Ensure the CFX Duet System is connected via the USB cable to a PC running CFX Maestro Software.
4. In CFX Maestro Software, confirm that the CFX Duet System icon appears in the Detected Instruments pane.
5. In the Detected Instruments pane of CFX Maestro Software, right click the **CFX Duet System** icon and select **Properties**.
6. Select the **Shipping Screw** tab and click **Remove Shipping Screw**.
7. Follow the instructions displayed in the CFX Maestro Software window to remove the shipping screw, which is located on the right-hand side of the instrument.

**Operating the CFX Duet System**

Operating the CFX Duet System requires connection to a PC running CFX Maestro Software. For details, see the user guide for CFX Maestro Software. For details about the CFX Duet System, refer to the instrument guide (10000148048).

Visit bio-rad.com/CFXDuet for more information.

BIO-RAD is a trademark of Bio-Rad Laboratories, Inc.
All trademarks used herein are the property of their respective owner.

BIO-RAD**Bio-Rad
Laboratories, Inc.**Life Science
Group

Website bio-rad.com **USA** 1 800 424 6723 **Australia** 61 2 9914 2800 **Austria** 00 800 00 24 67 23 **Belgium** 00 800 00 24 67 23 **Brazil** 4003 0399
Canada 1 905 364 3435 **China** 86 21 6169 8500 **Czech Republic** 00 800 00 24 67 23 **Denmark** 00 800 00 24 67 23 **Finland** 00 800 00 24 67 23
France 00 800 00 24 67 23 **Germany** 00 800 00 24 67 23 **Hong Kong** 852 2789 3300 **Hungary** 00 800 00 24 67 23 **India** 91 124 4029300 **Israel** 0 3 9636050
Italy 00 800 00 24 67 23 **Japan** 81 3 6361 7000 **Korea** 82 2 3473 4460 **Luxembourg** 00 800 00 24 67 23 **Mexico** 52 555 488 7670
The Netherlands 00 800 00 24 67 23 **New Zealand** 64 9 415 2280 **Norway** 00 800 00 24 67 23 **Poland** 00 800 00 24 67 23 **Portugal** 00 800 00 24 67 23
Russian Federation 00 800 00 24 67 23 **Singapore** 65 6415 3188 **South Africa** 00 800 00 24 67 23 **Spain** 00 800 00 24 67 23 **Sweden** 00 800 00 24 67 23
Switzerland 00 800 00 24 67 23 **Taiwan** 886 2 2578 7189 **Thailand** 66 2 651 8311 **United Arab Emirates** 36 1 459 6150 **United Kingdom** 00 800 00 24 67 23

